



Stove Top Double

“Anvil’s Stove Tops are designed for heavy duty commercial use and can be used for cooking, holding and warming”



 ANVIL

AXIS

Model: STA0002

APPLICATION

- Used in restaurants, coffee shops and pubs
- Particularly suited to buffet lines, outside caterers and mobile cooking facilities
- Can accommodate large pots

CONSTRUCTION

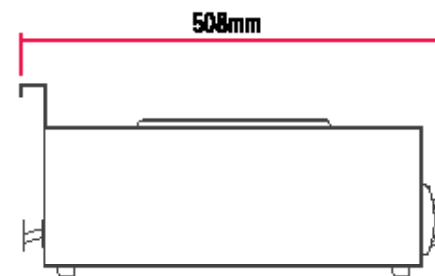
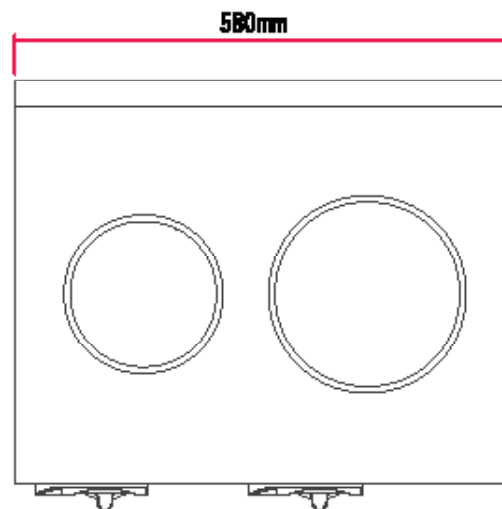
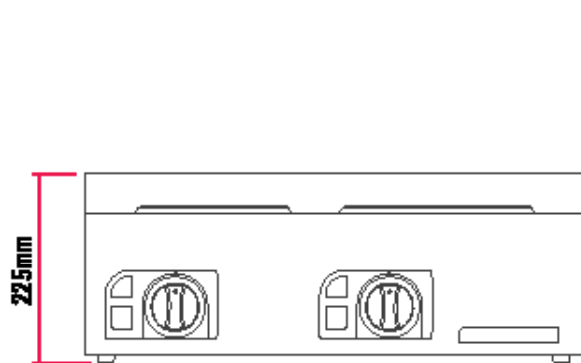
- This stove body is made from Stainless Steel for durability and ease of cleaning
- Splashback prevents spillage

HEATING

- The hot plate has embedded elements which are permanently bonded for maximum heat retention and dispersion
- Rapid heat up to 300°C
- Six stage heat switch for simmering and boiling



ALL ANVIL EQUIPMENT COMES WITH A ONE
YEAR WARRANTY ON COMPONENTS AND
DEFECTIVE WORKMANSHIP.
www.anvilworld.com



DESCRIPTION

STOVE TOP DOUBLE

MODEL	STA0002
NUMBER OF PLATES	2
POWER RATING (230V/50Hz)	1 x 2kW / 1 x 1.2kW
DIMENSIONS (mm) (W x D x H)	580 x 508 x 225
BOX DIMNS (mm) (W x D x H)	622 x 522 x 267
PACKED WEIGHT (kg)	12
COMPLIES WITH SPEC	SABS IEC 60335

- Unit not available in 120V/60Hz configuration

Model: STA0002

NOTE: When viewing the appliance from the front in its usual operating position, the width (W) of the product is the total distance from left to right; the depth (D) of the product is the total distance from the front to the back; the height (H) is the total distance from the bottom of the product to the top.

 ANVIL

AXIS

Note: Output performance figures quoted are dependant on various factors

Anvil reserves the right, without notice, to make changes and revisions to product specifications, materials and design, which in our opinion, will provide better performance, durability and efficiency.